



R2E-100

ENHANCED DOOR SECURITY

FEATURES

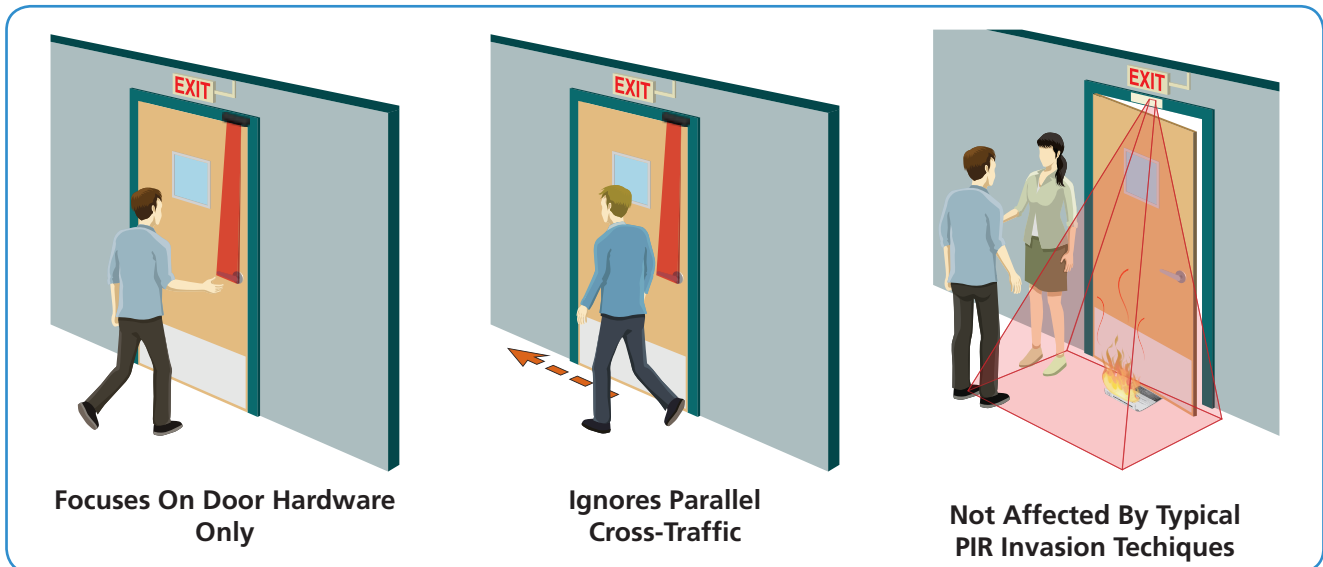
- Adjustable defined pattern creates a safer, more secure door
- Creates a secure detection zone from door jamb to lever handle
- Low profile sensor mounts on or above the door frame
- Multiple relocking modes for timed or door position conditions
- Relay output consists of two Form "C" contacts for NO / NC wiring
- Adjustable, built-in audible alarm denotes activation – Can be deactivated
- 3 DRY auxiliary inputs: request to exit, card reader or push button



The R2E-100 is an active infrared, request-to-exit detector specifically designed for access control applications where maximum protection is required. The active infrared pattern is focused in front of and above the door lever handle to greatly reduce unauthorized entry.

R2E-100 DETAILS

COMPETITIVE EXAMPLE



International Door Closers, Inc.

COPYRIGHT 2018 INTERNATIONAL DOOR CLOSERS, INC

West: 800-544-4422 • East: 800-225-6737

www.intldoorclosers.com

- Ground yourself by touching a conductive surface of the door or other element connected to common earth ground to discharge the static electricity present in your body.
- Avoid walking around while replacing items inside the case, especially if you are on carpet or during conditions of low temperature and low humidity.
- Handle the board by the edges only to avoid touching electronic components.
- Store a loose board in an anti-static bag.

INSTALLATION & WIRING

NOTE: There are similarities and slight differences in the installation, wiring and setup of the Focus and Focus 2. These similarities and differences are noted throughout the document.

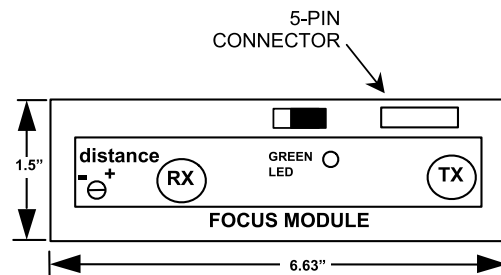
Installation of the sensor (Focus and Focus 2):

1. Remove the end-caps and lens from the sensor (Focus).
2. Drill holes in necessary locations near the ends of the extrusion (Focus).
3. Determine mounting location for the sensor (Focus and Focus 2).
4. Mount the sensor using the enclosed screws (Focus and Focus 2).

Wiring the sensor:

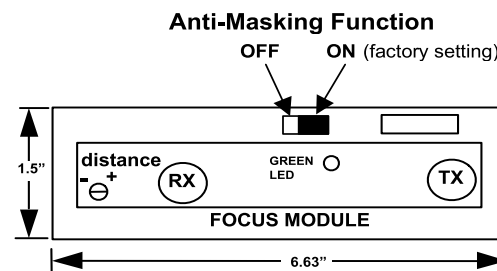
1. Locate the 5-pin connector on the circuit board and wire according to the drawing below (Focus and Focus 2).
2. Carefully route the harness out of the housing. The endcap has a breakaway notch if the wire is to be routed external to the sensor, otherwise, the harness can be neatly routed underneath of the endcap (Focus).
3. Replace the lens and end-caps once installed (Focus).

Wire Color	Connection
Red	N.O. Relay Contact
Black	N.C. Relay Contact
Brown	COM Relay Contact
White	24 V AC / V DC
Green	24 V AC / V DC



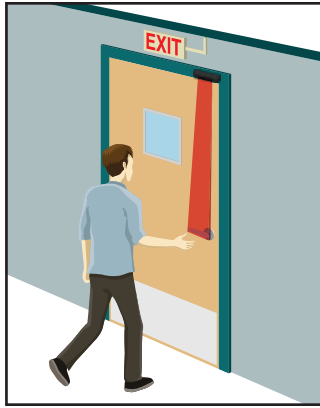
Configuring of the sensor (Focus and Focus 2):

1. The Anti-Masking Function of the sensor has 2 configurations:
 - ON: detection occurs even if the receiver collects no signal (factory setting)
 - OFF: no detection occurs if the receiver collects no signal

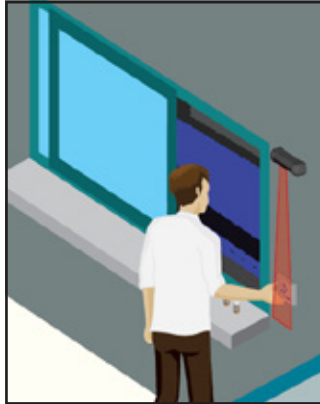


ADJUSTMENT OF DETECTION DISTANCE

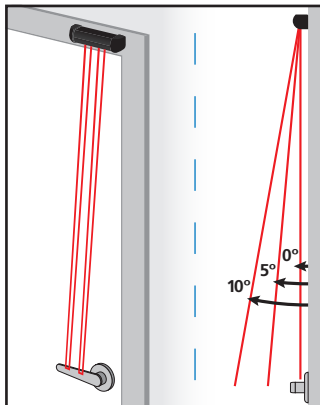
CHART 1 (Distance From Face of Door at Inactive Zone Height)								
	ANGLE of PBC	0°	5°	10°	15°	20°	25°	
INACTIVE DISTANCE								
8"		0	6"	12 1/2"	19 1/4"	26"	33 1/4"	
12"		0	6"	12"	18"	24 1/4"	31 1/2"	
16"		0	5 1/2"	11 1/4"	16 3/4"	23 1/4"	29 1/2"	
20"		0	5 1/4"	10 1/2"	16"	21 1/2"	27 1/2"	
			DISTANCE FROM FACE OF DOOR (X DISTANCE)					



REQUEST TO EXIT



HEALTHCARE



FRONT & SIDE VIEW



MAGLOCKS

APPLICATIONS

DETECTION ZONES

RELATED PRODUCTS

COMPETITIVE ANALYSIS

Feature	R2E-100	Brand B	Brand K
Technology	Focused Active Infrared (State of the Art Technology)	Diffused Passive Infrared	Diffused Passive Infrared
Parallel Traffic Rejection	YES (Minimizes False Detections)	NO	NO
Detection Zone Adjustment	YES – Potentiometer Tuning (Improved Accuracy)	NO Plastic wedge placement	NO Louver direction screws
Built-in surge protection	YES – Provided in the Sensor (Electrical Spike Protection)	NO Must provide your own	YES Provided in the sensor
Fully Adjustable Relay Hold Time	YES – Potentiometer 0 – 60 s (Accurate Adjustability)	NO Multiple DIP settings	NO Multiple DIP settings
Wire Harness Included	YES (Simplified Installation)	NO	NO
Simple Feature Selection	YES – Individual DIP switches (Uncomplicated Setup)	NO Combination of DIP switches	YES Limited features
Relay Mode	YES (Access Control Ready)	YES	NO
Audible Alarm	YES – Adjustable Volume (Secure Door-Remote Monitor)	YES Adjustable Volume	YES Not Adjustable

TECHNICAL SPECIFICATIONS

Detector Type	Focused Active Infrared
Supply Voltage	12 to 24 VAC/VDC; ±10% @ 60 Hz
Current	
Sounder OFF	155 mA
Sounder MAXIMUM	200 mA
Temperature (UL Install)	+32°F to +120°F
Temperature	-20°F to +120°F
Humidity (UL Install)	0% to 85%
Humidity (non-condensing)	0% to 93%
Relay	2 Form "C" contact sets; 1.3 A @ 24 VAC / 30 VDC
Hold Time	0.5 to 60 seconds
DRY Exit Input	Normally Open (I/O via DIP)
DRY Card Reader Input	Normally Closed (I/O via DIP)
DRY DPS Input	Normally Open (I/O via DIP)
Adjustable Detection Zone	Vertical: 20 to 48 inches Depth Angle: 0°, 5°, or 10° from face of the door
Dimensions (L x W x H)	6 7/8" x 2" x 1 7/8"
Material	Plastic (ABS & PC)
Wiring Interface	JST (14 Pin) with 4 ft Cable
Certifications	UL 294 / UL 5319 FCC Part B

Specifications are subject to change without prior notice.

DISCLAIMER This document as well as all other enclosed documents (quotation / specification / other) are provided "as is" without warranties of any kind, either expressed or implied, including but not limited to the implied warranties of merchantability, fitness for a particular purpose, or non-infringement. / Information is supplied upon the condition that the persons receiving it will make their own determination as to its suitability for their purposes prior to use. In no event will IDC be responsible for damages of any nature whatsoever resulting from the use of or reliance upon information from this document or the products to which the information refers. / IDC has the right without liability to change descriptions and specifications at any time. / Prices, shipping and availability are subject to change without prior notice.



International Door Closers, Inc.

West: 800-544-4422 • East: 800-225-6737

COPYRIGHT 2018 INTERNATIONAL DOOR CLOSERS, INC

www.intldoorclosers.com