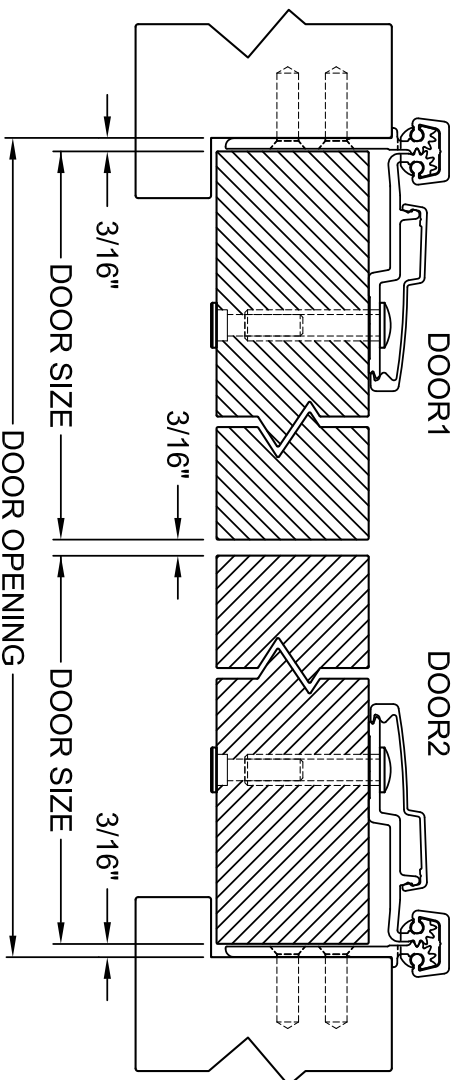


DOOR CLEARANCES FOR HALF SURFACE GEAR HINGES

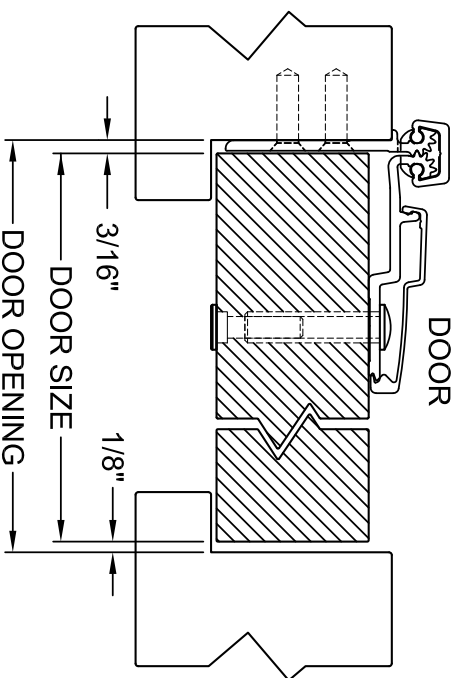
A460 SHOWN FOR EXAMPLE
PAIR DOORS SQUARE EDGE



DOUBLE DOOR CLEARANCE	
HINGE SIDE CLEARANCE (2X)	3/16"
LATCH SIDE CLEARANCE	3/16"
TOTAL WIDTH CLEARANCE	9/16"

TO DETERMINE DOOR WIDTH
SUBTRACT THE TOTAL WIDTH
CLEARANCE FROM THE WIDTH
OF THE FRAME OPENING;
DIVIDE THE RESULT BY 2

A460 SHOWN FOR EXAMPLE
SINGLE DOOR SQUARE EDGE



SINGLE DOOR CLEARANCE	
HINGE SIDE CLEARANCE	3/16"
LATCH SIDE CLEARANCE	1/8"
TOTAL WIDTH CLEARANCE	5/16"

TO DETERMINE DOOR WIDTH
SUBTRACT THE TOTAL WIDTH
CLEARANCE FROM THE WIDTH
OF THE FRAME OPENING.

NOTE:
FOR DOUBLE DOOR ENTRANCES WITH A MULLION BETWEEN THE PAIR OF DOORS,
CALCULATE EACH DOOR WIDTH USING THE SINGLE DOOR CLEARANCES.

FOR DOUBLE DOOR ENTRANCES WITH A MULLION BEHIND THE PAIR OF DOORS,
CALCULATE EACH DOOR WIDTH USING THE DOUBLE DOOR CLEARANCES.

INTERNATIONAL DOOR CLOSER

1140 KRAEMER PLACE, ANAHEIM, CA 92806
TEL: (714) 666-0390 (800) 544-4422
FAX: (714) 666-2215

DOOR CLEARANCE HALF SURFACE-INTERNATIONAL DOOR CLOSER-00.DWG

A211, A213, A450, A460,
A530, A540, A550

ISSUED 01-22-10