



Maximum Security Heavy-Duty Thumbturn Deadbolts

THUMBTURN DEADBOLTS

WITH VACANCY INDICATOR

077302 SERIES • ANSI GRADE 1

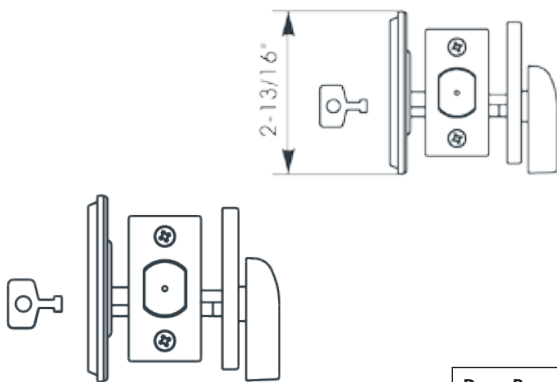
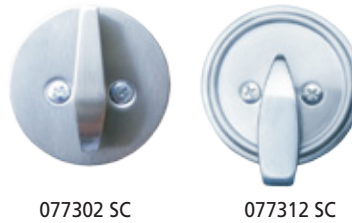
A Heavy Duty commercial quality deadbolt that provides a positive deterrent to forced entry.

- 1" (25mm) deadbolt with hardened steel core exceeds ANSI Grade 1 Security against kick-in and saw attacks. ADA Ergonomic thumb turn.
- ADA Ergonomic thumb turn.
- 2-13/16" dia SUS304 rose
- 2mm thick steel mounting plate.
- Sturdy, all steel latch case and mechanism.
- "VACANT" in its window with latchbolt retracted
- Finishes Available:
 PB - Polished Brass
 AB - Antique Brass
 SN - Satin Nickel
 SC - Satin Chrome
 CR - Polished Chrome
 ORB - Oil Rubbed Bronze
 PVD - Lifetime finish



THUMBTURN DEADBOLT
077302

Inside Rose Assembly Style Available



077302
PRIVACY DEADBOLT

Deadbolt operated by Emergency key outside or turn button inside.



Door Prep:	Cross bore 2-1/8" , Edge bore 1" Latch face 1-1/8"x2-1/4".
Backset:	2-3/4" standard, 2-3/8" optional.
Door Thickness:	Adjustable 1-3/8" -- 2".
Face plates:	1-1/8"x2-1/4" square corner standard. Round corner and other options available.
Strikes:	1-1/8"x2-3/4" square corner standard. Round corner and other options available.
Bolt:	1" throw. Nickel plated.